



M³X-33-4

P/N 33181-004



TECHNICAL DESCRIPTION

The model M³X-33-4 (P/N 33181-004) is a 20-cell Micro-Maintenance battery, with a nominal voltage of 24V, and a nominal capacity of 33 Ah, at a weight of only 60 lbs. (max). The M³X-33-4 will provide an Imp (15-second discharge @ maximum power transfer) of 1400 amps at room temperature.

STANDARD WARRANTY: 2 Years

APPLICATION

The M³X-33-4 is designed as a Type Certificate replacement for the M³X-33-1 (P/N 33181-001) battery, offering lower maintenance costs.

The M³X-33-4 is approved for the following Augusta Westland applications:

A109-A, AII, C, K, K2, E, S and A119.

The M³X-33-4 provides significant maintenance-cost savings for Augusta Westland applications.

PHYSICAL SPECIFICATIONS

Length: 9.88" max
Width: 9.63" max
Height: 7.61" max
Weight: 60 lbs
Connector: MS3509

ELECTRICAL SPECIFICATIONS

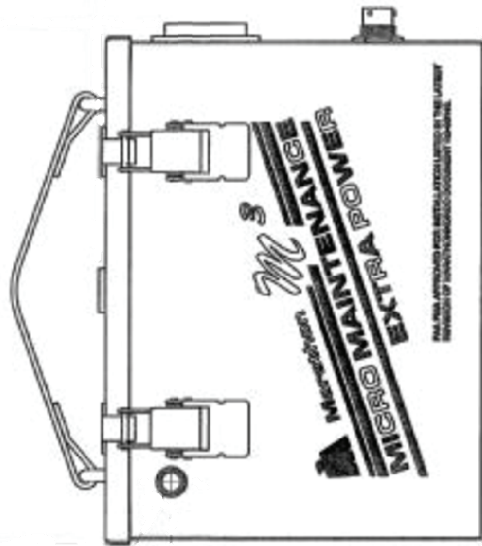
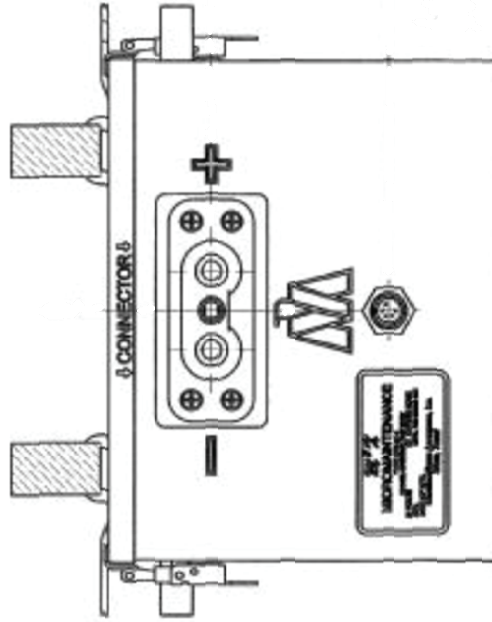
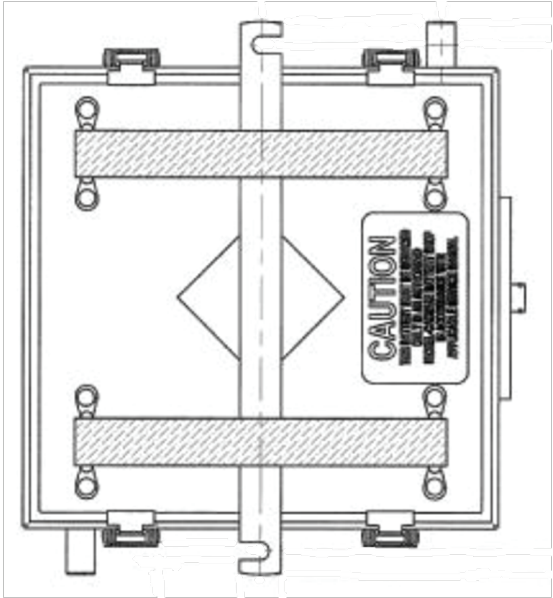
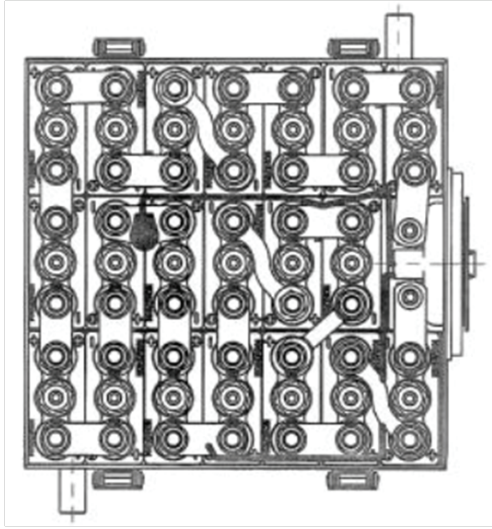
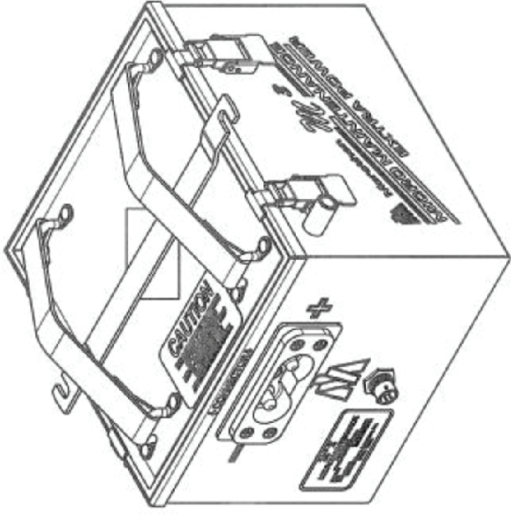
Voltage: 24.0 volts (nominal)
Capacity: 33Ah minimum
Imp : 1400A @ 15 seconds
(Discharge current at maximum power transfer)

The Marathon Micro-Maintenance M³ battery is a greatly improved nickel-cadmium (Ni-Cd) battery that features:

- Significantly Increased Maintenance Intervals
- Very Low Water Consumption
- Excellent Capacity Retention During Extended Cycling
- Same Physical Size As Standard Ni-Cd
- Same Weight As Standard Ni-Cd
- Better Capacity Than Standard Ni-Cd
- Same Or Better Power Than The Standard Ni-Cd

The battery incorporates a state-of-the-art negative pasted electrode that provides high volumetric and gravimetric energy density. This, along with the standard sintered positive electrode, provides a high capacity battery with excellent power. Other characteristics of the battery include our standard, internally threaded butt terminals, long life separators, nylon cell cases and covers. The design of the battery increases the electrolyte reserve to more than two times the standard Ni-Cd battery.

The M³ battery was designed to increase the battery maintenance interval. This design has reduced electrolyte consumption, coupled with an increased electrolyte reserve, results in a increased maintenance interval of two to six times.



8301 Imperial Drive
 Waco, TX, 76712
 (254) 776-0650 FAX (254) 776-6558
www.mnaerospace.com